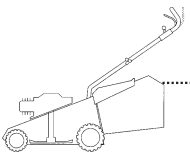


**PAN 504 TR 3S**

**PAN 504 TR-E 3S**

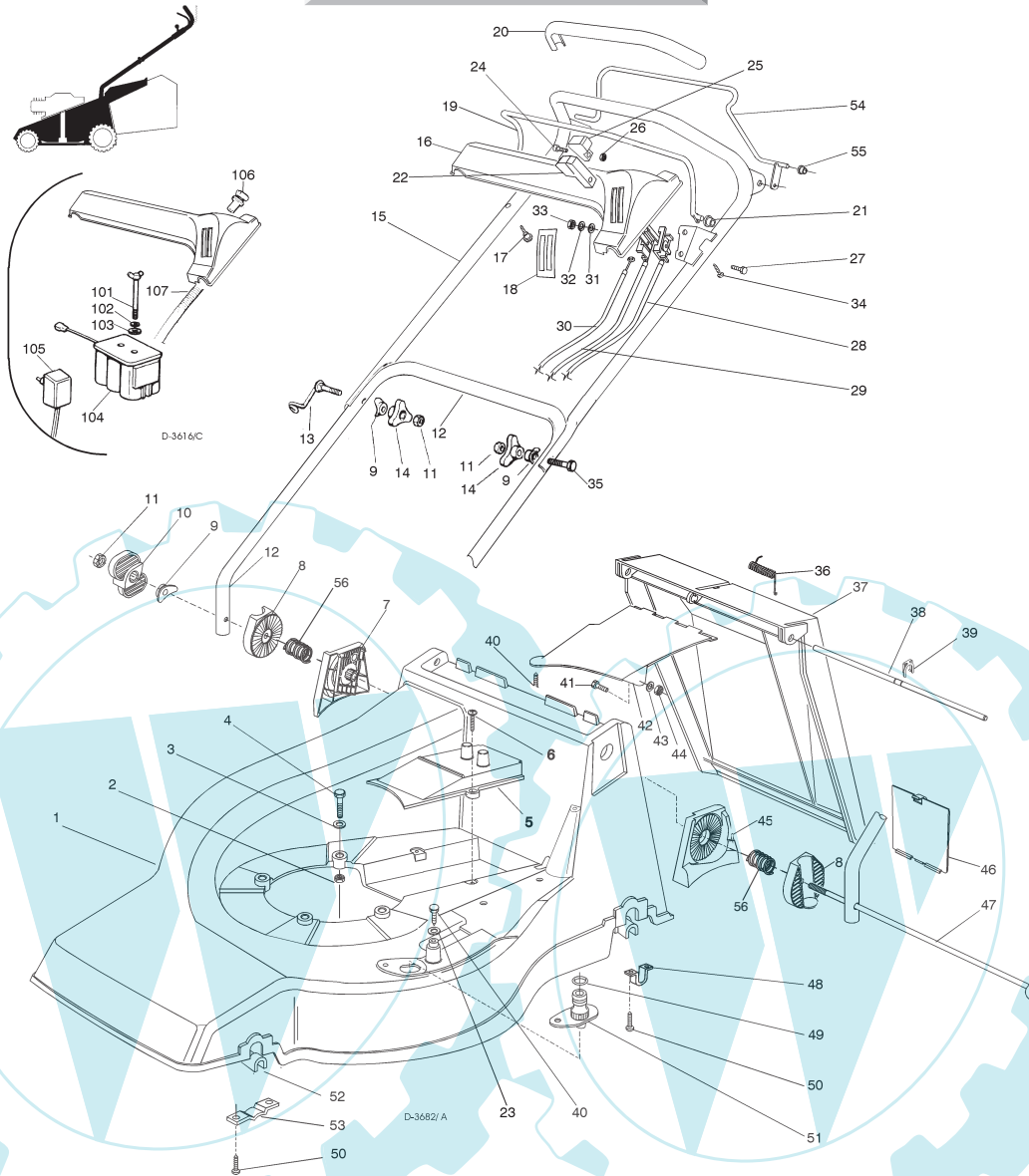


**CHASSIS  
MANICO  
COMANDI  
DOTAZIONE VITERIE**

**DECK  
HANDLE  
CONTROLS  
SCREWS OUTFITS**

**CHÂSSIS  
MANCHERON  
COMMANDES  
DOTATION VISSERIE**

**GEHÄUSE  
HOLM  
BETÄTIGUNGEN  
SCRAUBENSATZ**



**SPARE PARTS CATALOGUE**

**GB**

**D**

**CATALOGO DELLE PARTI  
DI RICAMBIO**

**I**

**F**

T-3682/ A

| Pos. Nr. | Codice Code Kodex | Q.tà Q.ty-Q.tè Menge | Descrizione         | Description         | Description           | Beschreibung            |
|----------|-------------------|----------------------|---------------------|---------------------|-----------------------|-------------------------|
| 1        |                   |                      | CHASSIS             | DECK                | CHÂSSIS               | GEHÄUSE                 |
| —        | 81001714/0        | 1                    | ROSSO               | RED                 | ROUGE                 | ROTES                   |
| —        | 81001715/0        | 1                    | GIALLO              | YELLOW              | JAUNE                 | GELBES                  |
| —        | 81001716/0        | 1                    | VERDE               | GREEN               | VERT                  | GRÜNES                  |
| 2        | 12155000/0        | 3                    | DADO                | NUT                 | ECROU                 | MUTTER                  |
| 3        | 12521350/0        | 3                    | RONDELLA            | WASHER              | RONDELLE              | SCHEIBE                 |
| 4        | 12691800/0        | 3                    | VITE                | SCREW               | VIS                   | SCHRAUBE                |
| 5        | 22060181/0        | 1                    | CARTER CINGHIA      | BELT PROTECTION     | PROTECTION COURROIRE  | RIEMENSCHUTZ            |
| 6        | 12728522/0        | 2                    | VITE                | SCREW               | VIS                   | SCHRAUBE                |
| 7        | 22785077/0        | 1                    | SUPPORTO INTERNO DX | RH INTERNAL SUPPORT | SUPPORT INTERNE DROIT | INNERE HALTERUNG RECHTS |
| 8        | 22785076/0        | 2                    | SUPPORTO ESTERNO    | EXTERNAL SUPPORT    | SUPPORT EXTERNE       | AUßERE HALTERUNG        |
| 9        | 22680006/1        | 3                    | RONDELLA            | WASHER              | RONDELLE              | SCHEIBE                 |
| 10       | 22399803/0        | 1                    | MANOPOLINA          | KNOB                | POIGNÉE               | GRIFF                   |
| 11       | 12293202/0        | 3                    | DADO                | NUT                 | ECROU                 | MUTTER                  |
| 12       | 81007033/0        | 1                    | PARTE INF. MANICO   | LOWER HANDLE        | PARTIE INF. MANCHERON | UNTERHOLM               |
| 13       | 81003801/0        | 1                    | MOLLA GUIDA         | SPRING              | RESSORT               | FEDER                   |
| 14       | 22399900/0        | 2                    | MANOPOLINA          | KNOB                | POIGNÉE               | GRIFF                   |
| 15       | 81007032/0        | 1                    | PARTE SUP. MANICO   | UPPER HANDLE        | PARTIE SUP. MANCHERON | OBERHOLM                |
| 16       |                   |                      | CRUSCOTTO           | DASH BOARD          | CONSOLE               | KONSOLE                 |
| —        | 22120150/0        | 1                    | ROSSO               | RED                 | ROUGE                 | ROTE                    |
| —        | 22120148/0        | 1                    | GIALLO              | YELLOW              | JAUNE                 | GELBE                   |
| —        | 22120164/0        | 1                    | NERO                | BLACK               | NOIRE                 | SCHWARZE                |
| 17       | 22943006/0        | 1                    | VITE                | SCREW               | VIS                   | SCHRAUBE                |
| 18       |                   |                      | ETICHETTA           | LABEL               | ETIQUETTE             | ETIKETTE                |
| —        | 14356797/0        | 1                    | (TECUMSEH-HONDA)    | (TECUMSEH-HONDA)    | (TECUMSEH-HONDA)      | (TECUMSEH-HONDA)        |
| —        | 14356795/0        | 1                    | (B&S)               | (B&S)               | (B&S)                 | (B&S)                   |
| 19       | 81003291/2        | 1                    | LEVA FRENO MOTORE   | BRAKE LEVER         | LEVIER FREIN MOTEUR   | MOTORBREMSEHEBEL        |

| Pos. Nr. | Codice Code Kodex | Q.tà Q.ty-Q.tè Menge | Descrizione                              | Description                     | Description                                 | Beschreibung                     |
|----------|-------------------|----------------------|--|---------------------------------|---|----------------------------------|
| 20       |                   |                      | IMPUGNATURA MANICO                       | HANDGRIP                        | POIGNÉE                                     | HANDGRIFF                        |
| —        | 22291050/ 0       | 1                    | NERA                                     | BLACK                           | NOIRE                                       | SCHWARZER                        |
| —        | 22291051/ 0       | 1                    | ROSSA                                    | RED                             | ROUGE                                       | RÖTER                            |
| —        | 22291052/ 0       | 1                    | GIALLA                                   | YELLOW                          | JAUNE                                       | GELBER                           |
| 21       | 22041966/ 0       | 2                    | BOCCOLA                                  | BUSH                            | DOUILLE                                     | BUCHSE                           |
| 22       | 22399802/ 0       | 1                    | MANOPOLINA                               | KNOB                            | POIGNÉE                                     | GRIFF                            |
| 23       | 12523040/ 0       | 3                    | RONDELLA                                 | WASHER                          | RONDELLE                                    | SCHIBE                           |
| 24       | 12726388/ 0       | 2                    | VITE                                     | SCREW                           | VIS   | SCHRAUBE                         |
| 25       | 22399801/ 0       | 1                    | MANOPOLINA                               | KNOB                            | POIGNÉE                                     | GRIFF                            |
| 26       | 12290800/ 0       | 2                    | DADO                                     | NUT                             | ECROU                                       | MUTTER                           |
| 27       | 12788910/ 0       | 2                    | VITE                                     | SCREW                           | VIS   | SCHRAUBE                         |
| 28       | 81007092/ 0       | 1                    | CAVO ACCELERATORE                        | THROTTLE CABLE                  | CABLE ACCELERATEUR                          | BESCHLEUNIGER KABEL              |
| 29       | 81007099/ 0       | 1                    | COMANDO MARCE                            | SPEED DRIVE CONTROL             | COMM. CHANGEMENT VITESSE                    | GÄNGESCHALTUNKABEL               |
| 30       | 81000633/ 0       | 1                    | CAVO FRENO MOTORE                        | THREAD MOTOR BRAKE              | CABLE FREIN MOTEUR                          | MOTORBREMSEKABEL                 |
| 31       | 12523020/ 0       | 2                    | RONDELLA                                 | WASHER                          | RONDELLE                                    | SCHIBE                           |
| 32       | 12581500/ 0       | 2                    | GROWER                                   | GROWER                          | GROWER                                      | GROWER                           |
| 33       | 12291000/ 0       | 2                    | DADO                                     | NUT                             | ECROU                                       | MUTTER                           |
| 34       | 12728460/ 0       | 1                    | VITE                                     | SCREW                           | VIS   | SCHRAUBE                         |
| 35       | 12819201/ 0       | 1                    | VITE                                     | SCREW                           | VIS   | SCHRAUBE                         |
| 36       | 22450270/ 0       | 1                    | MOLLA                                    | SPRING                          | RESSORT                                     | FEDER                            |
| 37       | 22600023/ 2       | 1                    | PARASASSI                                | STONE-GUARD                     | PARE-PIERRES                                | PRALLBLECH                       |
| 38       | 22517857/ 0       | 1                    | PERNO                                    | PIN                             | PIVOT                                       | BOLZEN                           |
| 39       | 124386050/ 0      | 1                    | PIASTRINA                                | PLATE                           | PLAQUETTE                                   | PLATTE                           |
| 40       | 12729600/ 0       | 1                    | VITE                                     | SCREW                           | VIS   | SCHRAUBE                         |
| 41       | 12789000/ 0       | 1                    | VITE                                     | SCREW                           | VIS   | SCHRAUBE                         |
| 42       | 22108205/ 0       | 1                    | CONVOGLIATORE                            | CONVEYOR                        | CONVOYEUR                                   | KONVEYOR                         |
| 43       | 12523020/ 0       | 1                    | RONDELLA                                 | WASHER                          | RONDELLE                                    | SCHIBE                           |
| 44       | 12154330/ 0       | 1                    | DADO                                     | NUT                             | ECROU                                       | MUTTER                           |
| 45       | 22785078/ 0       | 1                    | SUPPORTO INTERNO SX                      | L. INTERNAL SUPPORT             | SUPPORT INTERNE GAUCHE                      | INNERE HALTERUNG LINKS           |
| 46       | 22595352/ 0       | 1                    | PORTINA CHIUSURA                         | ISPECTION DOOR                  | VOYANT DE VISITE                            | ABDECKPLATTE                     |
| 47       | 81001208/ 1       | 1                    | PERNO                                    | PIN                             | PIVOT                                       | BOLZEN                           |
| 48       | 22545152/ 0       | 2                    | PIASTRINA                                | PLATE                           | PLAQUETTE                                   | PLATTE                           |
| 49       | 19035000/ 0       | 1                    | ANELLO OR                                | OR RING                         | BAGUE OR                                    | RING OR                          |
| 50       | 12731350/ 0       | 8                    | VITE                                     | SCREW                           | VIS   | SCHRAUBE                         |
| 51       | 22034000/ 0       | 1                    | ATTACCO ACQUA LAVAGGIO                   | WASHING CONNECTION              | ATTAQUE LAVAGE                              | WASCHENVERBINDUNG                |
| 52       | 22038400/ 1       | 2                    | BRONZINA                                 | BUSH                            | DOUILLE                                     | BUCHSE                           |
| 53       | 22545156/ 0       | 2                    | PIASTRINA                                | PLATE                           | PLAQUETTE                                   | PLATTE                           |
| 54       | 81003288/ 1       | 1                    | LEVA                                     | LEVER                           | LEVIER                                      | HEBEL                            |
| 55       | 22014965/ 0       | 2                    | BUSSOLA                                  | BUSH                            | DOUILLE                                     | BUCHSE                           |
| 56       | 22446190/ 0       | 2                    | MOLLA                                    | SPRING                          | RESSORT                                     | FEDER                            |
| —        | 81008621/ 0       | 1                    | DOTAZIONE VITERIA                        | SCREWS OUTFIT                   | DOTATION VISSERIE                           | SCHRAUBEN SATZ                   |
| —        | 81008609/ 0       | 1                    | DOTAZIONE CRUSCOTTO                      | DASH-BOARD OUTFIT               | DOTATION CONSOLE                            | KONSOLE SATZ                     |
|          |                   |                      | <b>VARIANTI PER AVVIAMENTO ELETTRICO</b> | <b>PARTS FOR ELECTRIC START</b> | <b>COMPOSANTS POUR DÉMARRAGE ÉLECTRIQUE</b> | <b>ELEKTROSTART BESTANDTEILE</b> |
| 101      | 22517855/ 0       | 2                    | PERNO                                    | PIN                             | PIVOT                                       | BOLZEN                           |
| 102      | 12523000/ 0       | 2                    | RONDELLA                                 | WASHER                          | RONDELLE                                    | SCHIBE                           |
| 103      | 12540020/ 0       | 2                    | RONDELLA                                 | WASHER                          | RONDELLE                                    | SCHIBE                           |
| 104      | 18120050/ 0       | 1                    | BATTERIA                                 | BATTERY                         | BATTERIE                                    | BATTERIE                         |
| 105      | 18204110/ 0       | 1                    | CARICA BATTERIA                          | BATTERY CHARGER                 | CHARGEUR DE BATTERIE                        | LADGERÄT                         |
| 106      | 18450050/ 0       | 1                    | INTERRUTTORE                             | SWITCH                          | INTERRUPTEUR                                | SCHALTER                         |
| 107      | 18204190/ 2       | 1                    | CAVO AVVIAMENTO                          | START CABLE                     | CABLE DÉMARRAGE                             | STARTKABEL                       |

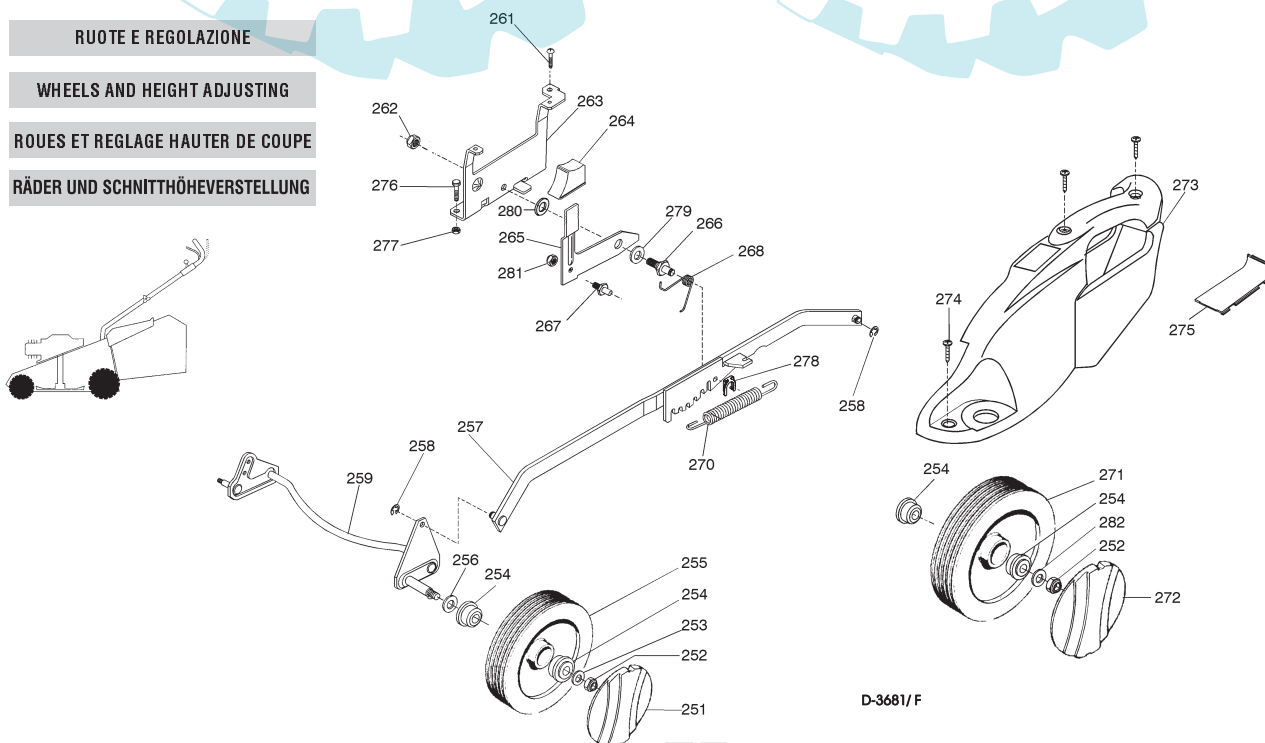
T-3616/ C

**RUOTE E REGOLAZIONE**

**WHEELS AND HEIGHT ADJUSTING**

**ROUES ET REGLAGE HAUTER DE COUPE**

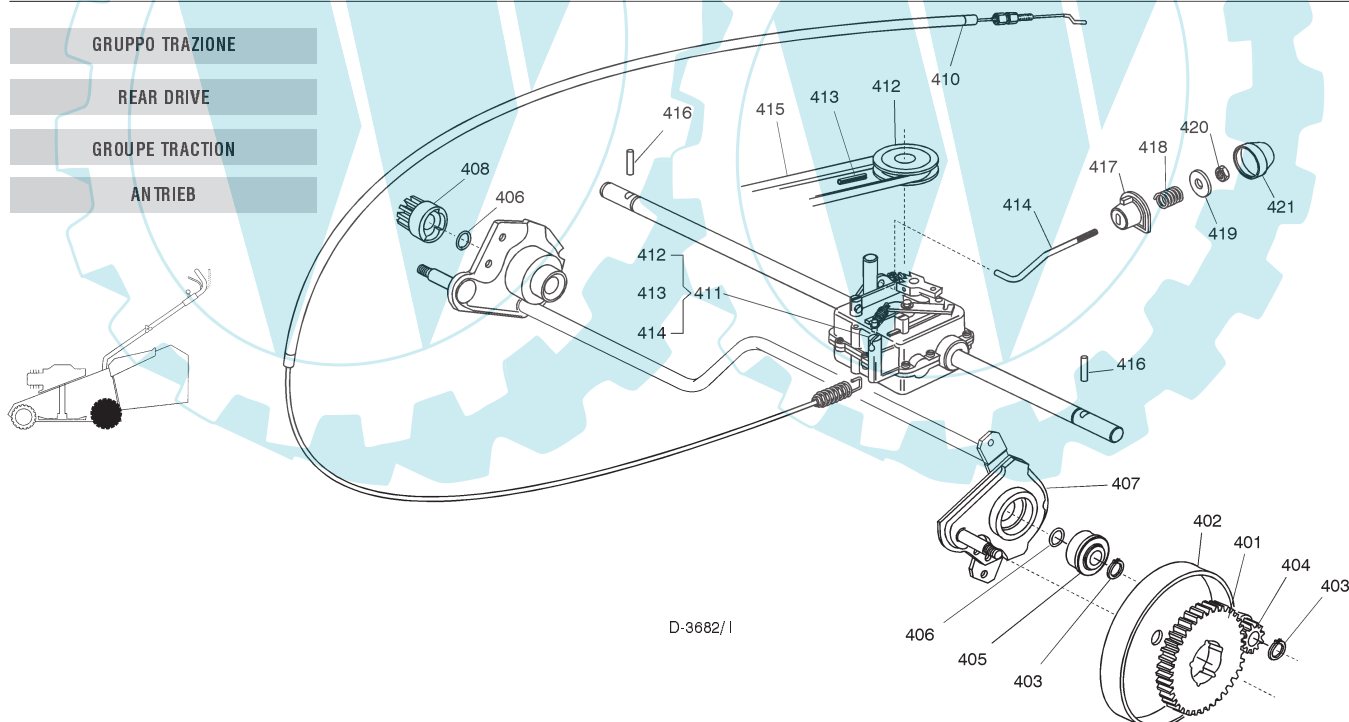
**RÄDER UND SCHNITTHÖHEVERSTELLUNG**



D-3681/ F

T-3681/F

| Pos. Nr. | Codice Code Kodex | Q.tà Q.ty-Q.tè Menge | Descrizione              | Description              | Description               | Beschreibung               |
|----------|-------------------|----------------------|--------------------------|--------------------------|---------------------------|----------------------------|
| 251      | —                 | —                    | COPRIMOZZO               | HUB CAP                  | COUVRE-MOYEU              | RADKAPPE                   |
| —        | 22110251/0        | 2                    | BIANCO Ø 170             | WHITE Ø 170              | BLANC Ø 170               | WEIBE Ø 170                |
| —        | 22110253/0        | 2                    | GIALLO Ø 170             | YELLOW Ø 170             | JAUNE Ø 170               | GELBE Ø 170                |
| —        | 22110256/0        | 2                    | ROSSO Ø 170              | RED Ø 170                | ROUGE Ø 170               | ROTE RADKAPPE Ø 170        |
| 252      | 12155000/0        | 4                    | DADO                     | NUT                      | ECROU                     | MUTTER                     |
| 253      | 12521350/0        | 4                    | RONDELLA                 | WASHER                   | RONDELLE                  | SCHIBE                     |
| 254      | 22122200/0        | 8                    | CUSCINETTO               | BEARING                  | COUSSINET                 | LAGER                      |
| 255      | 81007311/0        | 2                    | RUOTA Ø 170              | WHEEL Ø 170              | ROUE Ø 170                | RAD. Ø 170                 |
| 256      | 12530150/0        | 4                    | RONDELLA                 | WASHER                   | RONDELLE                  | SCHIBE                     |
| 257      | 81001135/0        | 1                    | ASTA                     | ROD                      | TIGE                      | STANGE                     |
| —        | 81001137/0        | 1                    | ASTA (HONDA GCV 135/160) | ROD (HONDA GCV 135/160)  | TIGE (HONDA GCV 135/160)  | STANGE (HONDA GCV 135/160) |
| 258      | 12000930/0        | 2                    | ANELLO ELASTICO          | ELASTIC RING             | ANNEAU ELASTIQUE          | ELASTISCHER RING           |
| 259      | 81002801/0        | 1                    | ASSE RUOTE ANTERIORI     | FRONT WHEELS AXLE        | AXE ROUES AVANT           | VORDERRADACHSE1            |
| 261      | 12731350/0        | 1                    | VITE                     | SCREW                    | VIS                       | SCHRAUBE                   |
| 262      | 12155000/0        | 1                    | DADO                     | NUT                      | ECROU                     | MUTTER                     |
| 263      | 22785115/0        | 1                    | SUPPORTO REGOLAZIONE     | ADJUSTMENT SUPPORT       | SUPPORT REGLAGE           | VERSTELLUNGHALTER          |
| 264      | 22602000/0        | 1                    | PULSANTE COMANDO LEVA    | LEVER CONTROL PUSHBUTTON | BOUTON DE COMMANDE LEVIER | STEUERHEBELDRUCKKNOPF      |
| 265      | 22322829/1        | 1                    | LEVA REGOLAZIONE         | ADJUSTMENT LEVER         | LEVIER REGLAGE            | VERSTELLUNGHEBEL           |
| 266      | 22517880/1        | 1                    | PERNO                    | PIN                      | PIVOT                     | BOLZEN                     |
| 267      | 22519746/0        | 1                    | PERNO                    | PIN                      | PIVOT                     | BOLZEN                     |
| 268      | 22446176/0        | 1                    | MOLLA                    | SPRING                   | RESSORT                   | FEDER                      |
| 270      | 22446180/0        | 1                    | MOLLA                    | SPRING                   | RESSORT                   | FEDER                      |
| 271      | 81007313/0        | 2                    | RUOTA Ø 210              | WHEEL Ø 210              | ROUE Ø 210                | RAD. Ø 210                 |
| 272      | —                 | —                    | COPRIMOZZO               | HUB CAP                  | COUVRE-MOYEU              | RADKAPPE                   |
| —        | 22110252/0        | 2                    | BIANCO Ø 210             | WHITE Ø 210              | BLANC Ø 210               | WEIBE Ø 210                |
| —        | 22110254/0        | 2                    | GIALLO Ø 210             | YELLOW Ø 210             | JAUNE Ø 210               | GELBE Ø 210                |
| —        | 22110255/0        | 2                    | ROSSO Ø 210              | RED Ø 210                | ROUGE Ø 210               | ROTE Ø 210                 |
| 273      | 22060146/0        | 1                    | CARTER REGOLAZIONE       | ADJUSTMENT DECK          | CHÂSSIS REGLAGE           | VERSTELLUNGSGEHÄUSE        |
| 274      | 12728520/0        | 4                    | VITE                     | SCREW                    | VIS                       | SCHRAUBE                   |
| 275      | 22546070/0        | 1                    | PIASTRINA                | PLAQUE                   | PLAQUETTE                 | PLATTE                     |
| 276      | 12793301/0        | 2                    | VITE                     | SCREW                    | VIS                       | SCHRAUBE                   |
| 277      | 12293201/0        | 2                    | DADO                     | NUT                      | ECROU                     | MUTTER                     |
| 278      | 12436050/0        | 1                    | ANELLO                   | RING                     | ANNEAU                    | RING                       |
| 279      | 22672152/0        | 1                    | RONDELLA                 | WASHER                   | RONDELLE                  | SCHIBE                     |
| 280      | 22672151/0        | 1                    | RONDELLA                 | WASHER                   | RONDELLE                  | SCHIBE                     |
| 281      | 12154510/0        | 1                    | DADO                     | NUT                      | ECROU                     | MUTTER                     |
| 282      | 12369500/0        | 2                    | DISCO ELASTICO           | ELASTIC WASHER           | RONDELLE ELASTIQUE        | ELASTISCHE SCHEIBE         |

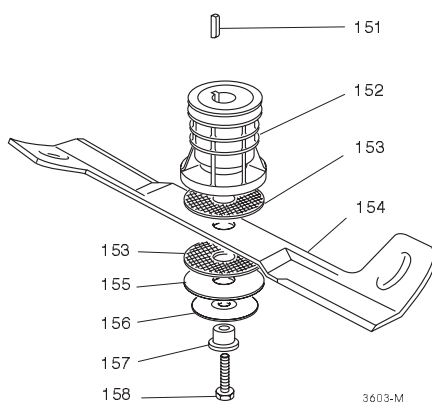
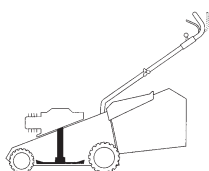


T-3682/I

|     |            |   |                       |                  |                        |                   |
|-----|------------|---|-----------------------|------------------|------------------------|-------------------|
| 401 | 22120105/1 | 2 | CORONA                | RING GEAR        | COURONNE               | KRANZ             |
| 402 | 81006846/0 | 2 | PROTEZIONE RUOTE      | WHEEL GUARD      | PROTECTION ROUE        | RÄDERSCHUTZ       |
| 403 | 12608600/0 | 4 | SEEGER                | SEEGER           | SEEGER                 | SEEGER            |
| 404 | 22570120/0 | 1 | PIGNONE SINISTRO      | LEFT PINION      | PIGNON GAUCHE          | LINKES RITZEL     |
| 405 | 22122200/0 | 2 | CUSCINETTO            | BEARING          | ROULEMENT              | KUGELLAGER        |
| 406 | 12019900/0 | 2 | ANELLO OR             | OR RING          | BAGUE OR               | RING OR           |
| 407 | 81002808/1 | 1 | ASSE RUOTE POSTERIORI | REAR WHEELS AXLE | AXE ROUES ARRIERE      | HINTERRADACHSE    |
| 408 | 22570110/0 | 1 | PIGNONE DESTRO        | RIGHT PINION     | PIGNON DROITE          | RECHTES RITZEL    |
| 410 | 81001139/0 | 1 | ASS. COMANDO TRAZIONE | REAR DRIVE ASS.Y | ENS. COMMANDE TRACTION | ANTRIEBKABEL      |
| 411 | 81003071/0 | 1 | ASS. GRUPPO TRAZIONE  | GEAR BOX ASS.Y   | ENS. GROUPE TRACTION   | ANTRIEBSATZ       |
| 412 | 22601904/0 | 1 | PULEGGIA              | PULLEY           | POULIE                 | RIEMENSCHIBE      |
| 413 | 12645705/0 | 1 | SPINA                 | PIN              | GOUPILLE               | STIFT             |
| 414 | 22033281/0 | 1 | ASTA REGOLAZIONE      | ADJUSTMENT ROD   | TIGE REGLAGE           | VERSTELLUNGSTANGE |
| 415 | 35064195/0 | 1 | CINGHIA Z 33          | BELT Z 33        | COURROIE Z 33          | RIEMEN Z 33       |
| 416 | 22753000/0 | 2 | SPINA                 | PIN              | GOUPILLE               | STIFT             |
| 417 | 22041957/0 | 1 | BUSSOLA               | BUSH             | DOUILLE                | BUCHSE            |
| 418 | 22450063/0 | 1 | MOLLA                 | SPRING           | RESSORT                | FEDER             |

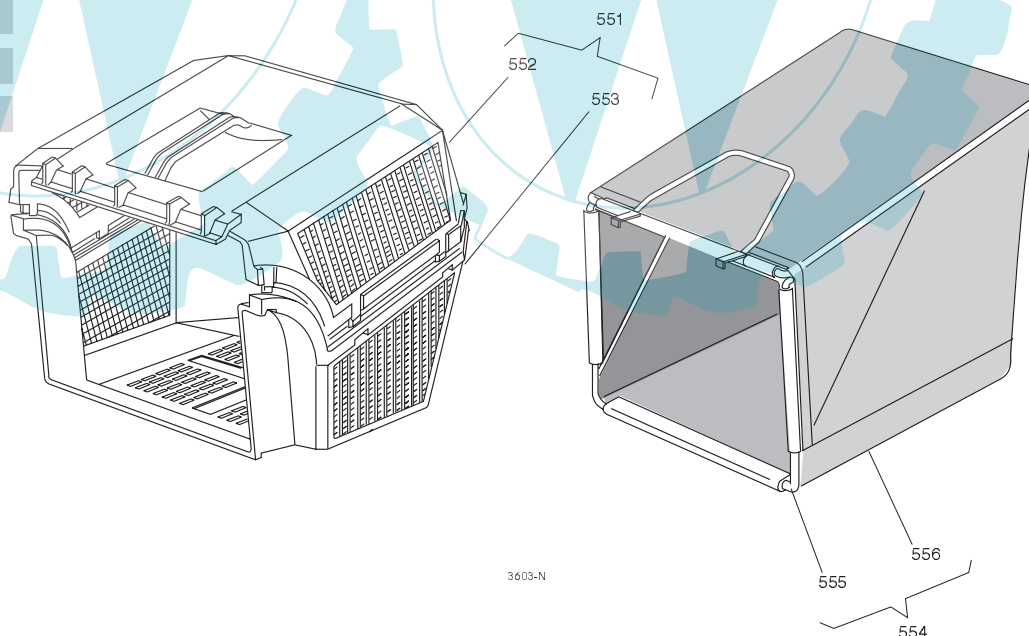
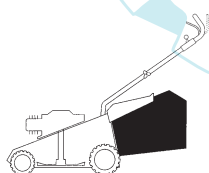
| Pos. Nr. | Codice Code Kodex | Q.tà Q.ty-Q.tè Menge | Descrizione | Description | Description | Beschreibung |
|----------|-------------------|----------------------|-------------|-------------|-------------|--------------|
| 419      | 22680009/ 0       | 1                    | RONDELLA    | WASHER      | RONDELLE    | SCHEIBE      |
| 420      | 12154510/ 0       | 1                    | DADO        | NUT         | ECROU       | MUTTER       |
| 421      | 22110230/ 0       | 1                    | TAPPO       | CAP         | BOUCHON     | GUMMISTOPFEN |

- GRUPPO COLTELLO**
- BLADE ASS.Y**
- GROUPE LAME**
- MESSERSATZ**



|           |     |             |   |                   |               |                   |                  |
|-----------|-----|-------------|---|-------------------|---------------|-------------------|------------------|
| T-3640/ M | 501 | 12139100/ 0 | 1 | LINGUETTA         | FEATHER       | CLAVETTE          | KEIL             |
|           | 502 | 22465611/ 0 | 1 | MOZZO             | HUB           | MOYEU             | NABE             |
|           | 503 | 22672110/ 1 | 2 | RONDELLA FRIZIONE | CLUTCH WASHER | RONDELLE FRICTION | KUPPLUNGSSCHEIBE |
|           | 504 | 81004395/ 1 | 1 | COLTELLO          | BLADE         | LAME              | MESSER           |
|           | 505 | 12508120/ 0 | 1 | MOLLA A TAZZA     | CUPPED SPRING | RESSORT           | TELLER FEDER     |
|           | 506 | 22672105/ 0 | 1 | RONDELLA          | WASHER        | RONDELLE          | SCHEIBE          |
|           | 507 | 22041940/ 0 | 1 | BUSSOLA FRIZIONE  | CLUTCH BUSH   | DOUILLE FRICTION  | KUPPLUNGSSCHEIBE |
|           | 508 | 12736850/ 0 | 1 | VITE              | SCREW         | VIS               | SCHRAUBE         |

- SACCO RACCOGLIERBA**
- GRASS-CATCHER**
- BAC DE RAMASSAGE**
- GRASFANGKORB**



|           |     |             |   |                    |                            |                       |                 |
|-----------|-----|-------------|---|--------------------|----------------------------|-----------------------|-----------------|
| T-3640/ N | 551 | 96500000/ 0 | 1 | SACCO COMPLETO     | COMPLETE GRASS-BOX         | BAC COMPLETE          | KOMPLETER KORB  |
|           | 552 | 22486065/ 0 | 1 | PORTE SUPER. SACCO | UPPER GRASS-BOX            | PAR TE SUPERIEURE SAC | OBERKORB        |
|           | 553 | 22486064/ 0 | 1 | PORTE INFER. SACCO | LOWER GRASS-BOX            | PAR TE INFERIEURE SAC | UNTERKORB       |
|           | 554 | 96400000/ 0 | 1 | ASS. SACCO TELA    | CANVASS GRASSCATCHER ASS.Y | ENSEMBLE SAC EN TOILE | KOMPLETTER SACK |
|           | 555 | 81006430/ 0 | 1 | TELAIO             | CHASSIS                    | CHASSIS               | RAHMEN          |
|           | 556 | 81002124/ 0 | 1 | TELA SACCO         | FABRIC BOX                 | TOILE POUR SAC        | TUCK FÜR SACK   |